

High-Accuracy Digimatic Micrometer

The world's first 0.1 μ m micrometer

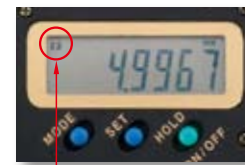
(Based on Mitutoyo's data valid as of June 2011.)

0.0001^{Resolution}mm



- Enabling 0.1 μ m resolution measurement, this micrometer is ideal for customers who need to make highly accurate measurements with a hand-held tool.
- The High-Accuracy Digimatic Micrometer utilizes Mitutoyo's innovative 0.1 μ m resolution ABS (absolute) rotary sensor*¹ and high-accuracy screw machining technology to reduce the instrumental error to $\pm 0.5\mu$ m, delivering higher accuracy without sacrificing operability.
 - *1. Patent pending in Japan, the United States of America, the European Union, and China.
- A highly rigid frame and high-performance constant-force mechanism*² enable more stable measurement, while the clicks emitted while the workpiece is being measured assures the operator that measurement is proceeding normally.
 - *2. Patent pending in Japan, the United States of America, the European Union, and China.
- Body heat transferred to the instrument is reduced by a (removable) heat shield, minimizing the error caused by thermal expansion of the frame when performing handheld measurements.
- The ABS (absolute) rotary sensor*³ eliminates the need to perform origin setting each time the power is turned on, letting you start measuring straight away. With no possibility of overspeed errors, the High-Accuracy Digimatic Micrometer also delivers a higher level of reliability.
 - *3. Patent pending in Japan, the United States of America, the European Union, and China.
- The High-Accuracy Digimatic Micrometer has a range of features to enable flexible measurement, including switchable resolution (0.0001mm/0.0005mm), function lock and preset.

ABSOLUTE
Absolute System Patented by MITUTOYO



Function lock

Specifications

	Metric	Inch/Metric
Code No.	293-100	293-130
Measuring range	0 - 25mm	0 - 1"
Resolution	0.0001mm/0.0005mm (switchable)	.000005"/.00002" 0.0001mm/0.0005mm (switchable)
Instrumental error (20°C)* ⁴	$\pm 0.5\mu$ m	$\pm .00002$ "
Measuring surface	$\phi 3.2$ mm	
Measuring force	7 to 9 N	
Measuring system	Electromagnetic induction type ABS rotary sensor	
Mass	400 g (440 g with heat shield attached)	
Power supply	Lithium battery (CR2032) x 1	
Battery life	Approx. two years when used under normal conditions	

*4. Includes quantization error of ± 1 count.

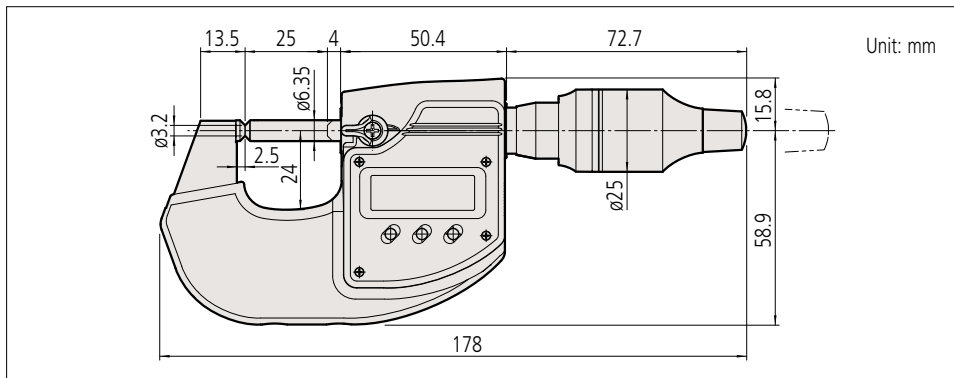
Mitutoyo

High-Accuracy Digimatic Micrometer



293-100

Dimensions



Standard accessories

Heat shield (No.04AAB969A: 293-100
No.04AAB969B: 293-130) x 1
Lithium battery (CR2032: for the monitor) x 1
Spanner (No.200877) x 1

Screwdriver (No.04AAB985) x 1
Lens paper (for the monitor)
Inspection certificate



With heat shield*5 attached



Heat shield

*5. Patent pending in Japan, the United States of America, the European Union, and China.

Functions

Preset (ABS measurement system): The measurement origin can be preset to any value within the display range for convenience in measuring.

Zero-setting (INC measurement system): The display can be zeroed at any position of the spindle, making comparison measurement easier. Returning to the absolute-measurement mode is easily accomplished.

Hold: The displayed value is held while the spindle is withdrawn and the micrometer moved so that the display can be read at the operator's convenience. After cancelling the hold, the instrument returns to the previous measuring mode (absolute or incremental).

Resolution switching: The resolution of the display can be switched. If 0.1µm measurement is not required, the resolution can be switched to 0.5µm.

Function lock: Functions such as preset or zero-set can be locked to avoid inadvertently changing the origin position.

On/off: The power can be turned off after measurement is complete. Even after the power is turned off, the origin or last zero-set position remains in the memory.

Auto power off: Even if the power is left on, the power turns off automatically if the micrometer is not used within a 20-minute period.

Measurement data output: Measurement data can be output, allowing easy incorporation of this instrument into a statistical process control or measurement system.

Error alarm: In the unlikely event of a display overflow or calculation error, an error message is displayed and measurement stops. Measurement cannot continue until the error is corrected.

Also, if the battery voltage drops below a certain point, the battery indicator will turn on before measurement becomes impossible, warning the user that the battery needs to be replaced.

Export permission by the Japanese government may be required for exporting our products according to the Foreign Exchange and Foreign Trade Law. Please consult our sales office near you before you export our products or you offer technical information to a nonresident.

- Coordinate Measuring Machines
- Vision Measuring Systems
- Form Measurement
- Optical Measuring
- Sensor Systems
- Test Equipment and Seismometers
- Digital Scale and DRO Systems
- Small Tool Instruments and Data Management

Mitutoyo GWLbXJbUJ JU5 6

Släntv. 6 • Box 712
SE-194 27 Upplands Väsby
Tel: 08-594 109 50
Fax: 08-590 924 10
info@mitutoyo.se
www.mitutoyo.se



Note: All information regarding our products, and in particular the illustrations, drawings, dimensional and performance data contained in this pamphlet, as well as other technical data are to be regarded as approximate average values. We therefore reserve the right to make changes to the corresponding designs, dimensions and weights. The stated standards, similar technical regulations, descriptions and illustrations of the products were valid at the time of printing. Only quotations submitted by ourselves may be regarded as definitive.