

**Mitutoyo**

# Quickmike

## Water Resistant Digimatic Micrometer

**ABSOLUTE**  
Tools



**IP54**

**30mm (1.2") Stroke**  
**0.5mm (.02")/rev.**



**The Quickmike provides  
a wide choice of measuring ranges  
for a wide range of applications.**

# Quickmike

**IP-54 Water-Resistant Digimatic Micrometer**



**Standard type**



## **FEATURES**

**Quick Measurement with a Spindle Feed That Is 20 Times Faster Than Conventional Micrometers Has Reduced Inspection Time Dramatically.**

The Quickmike provides a speedy spindle feed of 10mm (.4") per thimble rotation as compared to the conventional micrometer with 0.5mm (.02") per rotation. Three (3) full turns of the thimble allow one to cover 30mm (1.2"). Also, a wide 30mm (1.2") measuring range allows various workpieces with different shapes to be measured quickly.

**The Non-Rotating Spindle Even Enables Unskilled Operators to Perform Repeatable and Accurate Measurements.**

With a non-rotating spindle that does not apply torsion to the workpiece and the new ratchet friction thimble that provides a stable measuring force, the Quickmike guarantees high-accuracy and repeatability of measurement values, even if the spindle is quickly brought into contact with the workpiece. It allows accurate and speedy measurements to be performed, irrespective of whether the operator is skilled or unskilled.

**ABSOLUTE ENCODER**

Set the origin only once! The absolute linear scale tracks the origin throughout the life of battery, meaning no more zero setting (presetting) or overspeed error.



**Blade type**



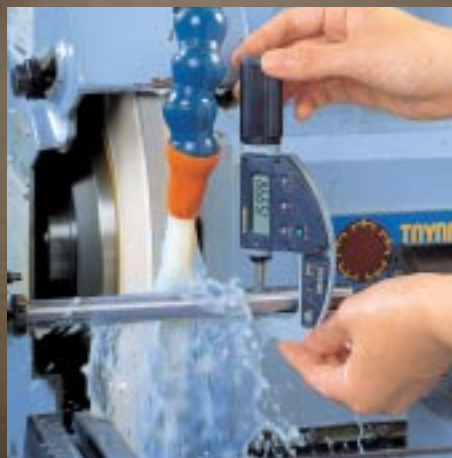
**Disk type**

### **IP-54 Dust/Water Protection\* Level**

The Quickmike resists water splash & shop floor contaminants for safe operation in harsh machine shop environments (when not connected with data output cable).

\*IP-54 protection requirements —

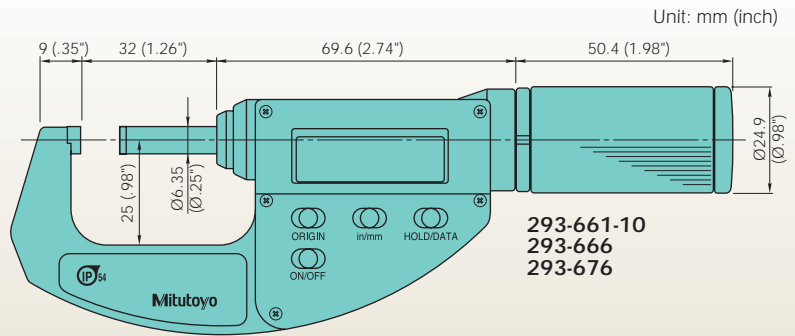
- (i) Water spray from any direction against the equipment must not adversely effect its operation.
- (ii) Dust must not penetrate to the extent that it adversely effects equipment operation.



### **Large LCD Digits of 7.5mm Height for Error-Free Reading**

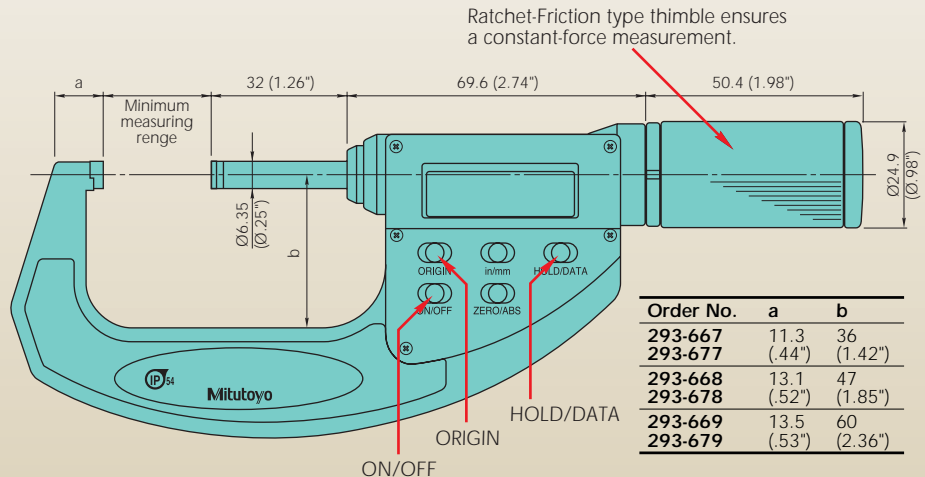
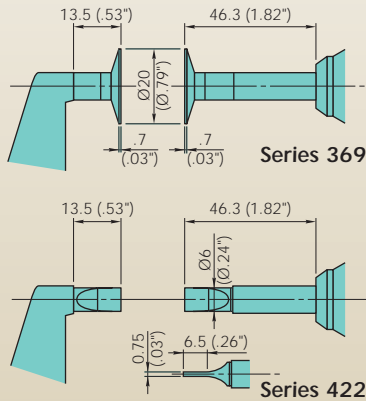
### **3 Years of Extended Battery Life (Nominal)**

The battery life has been extended to 17,000 hours under continuous operation. In normal operation the life span is approximately 3 years (for 0 - 30mm (1.2") type only).



293-661-10  
293-666  
293-676

## Dimensions



Order No.	a	b
293-667	11.3	36
293-677	(.44")	(1.42")
293-668	13.1	47
293-678	(.52")	(1.85")
293-669	13.5	60
293-679	(.53")	(2.36")

- **Display:** 6-digit LCD (Character height: 7.5mm/.3")
- **Quantizing error:** ±1 count
- **Measuring faces:**
  - Material — Carbide (Series 293)
  - Flatness — 0.3µm or less (Series 293)  
1µm or less (Series 369)
  - Parallelism — 2µm/3µm\* or less (Series 293)  
4µm or less (Series 369)  
3µm or less (Series 422)
- \*75 - 105mm/3" - 4.2" type
- **Measuring force:** 5 - 10N/3 - 8N (Series 369)
- **Dust/Water protection level:** Conforming to IP-54
- **Functions:** Origin setting, inch/mm conversion (.00005"/0.001mm type only), data hold\*, data output\*, low battery voltage alarm, scale contamination alarm
- \*Not provided for 293-661-10 model
- **Power supply:** SR44 battery cell (Part No. 938882) x 1pc.
- **Battery life:** Approx. 3years (293-661-10, 293-666 and 293-676) /Approx. 1year
- **Standard accessories:** SR44 battery cell (No. 938882, 1pc.), standard for origin setting (not provided for 0 - 30mm/1.2" type), fitted case

## SPECIFICATIONS

### Standard type

Range	Order No.	Resolution	Accuracy	Mass
0 - 30mm	293-661-10	0.001mm	±2µm	275g
	293-666	0.001mm	±2µm	275g
25 - 55mm	293-667	0.001mm	±2µm	355g
50 - 80mm	293-668	0.001mm	±3µm	525g
75 - 105mm	293-669	0.001mm	±3µm	625g
0 - 1.2" (0 - 30mm)	293-676	.00005"/0.001mm	±.00008"	.61 lbs.
1" - 2.2" (25 - 55mm)	293-677	.00005"/0.001mm	±.00008"	.78 lbs.
2" - 3.2" (50 - 80mm)	293-678	.00005"/0.001mm	±.00012"	1.16 lbs.
3" - 4.2" (75 - 105mm)	293-679	.00005"/0.001mm	±.00012"	1.38 lbs.

### Disk type

Range	Order No.	Resolution	Accuracy	Mass
0 - 30mm	369-411	0.001mm	±4µm	360g
25 - 55mm	369-412	0.001mm	±4µm	490g
0 - 1.2"	369-421	.00005"/0.001mm	±.00016"	.79 lbs.
1" - 2.2"	369-422	.00005"/0.001mm	±.00016"	1.08 lbs.

### Blade type

Range	Order No.	Resolution	Accuracy	Mass
0 - 30mm	422-411	0.001mm	±3µm	275g
25 - 55mm	422-412	0.001mm	±3µm	490g
0 - 1.2"	422-421	.00005"/0.001mm	±.00012"	.77 lbs.
1" - 2.2"	422-422	.00005"/0.001mm	±.00012"	1.08 lbs.

# Mitutoyo

PRECISION IS OUR PROFESSION

Mitutoyo Scandinavia AB

Släntv. 6 • Box 712  
SE-194 27 Upplands Väsby  
Tel 08-594 109 50 • Fax 08-590 924 10  
info@mitutoyo.se • www.mitutoyo.se

## Optional Accessories

No. 937387 SPC cable (1m (40"))  
No. 965013 SPC cable (2m (80"))

Specifications are subject to change without notice.